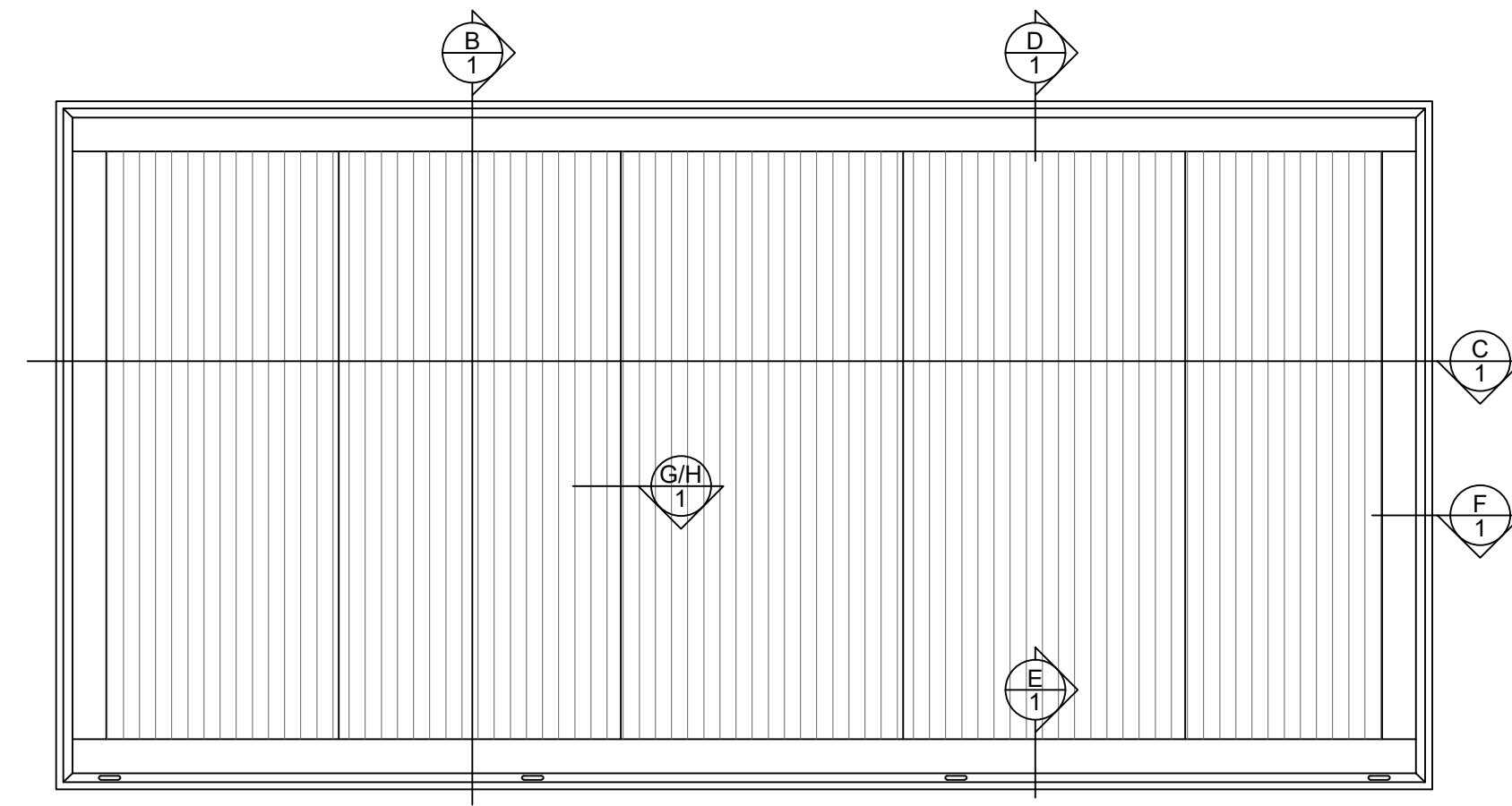
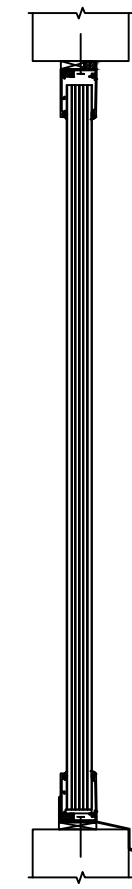


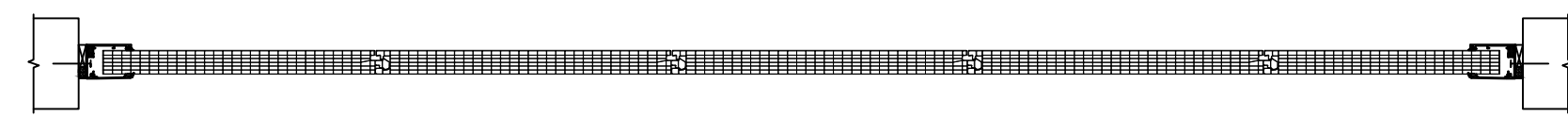
Skyview 40 Translucent Wall Panel



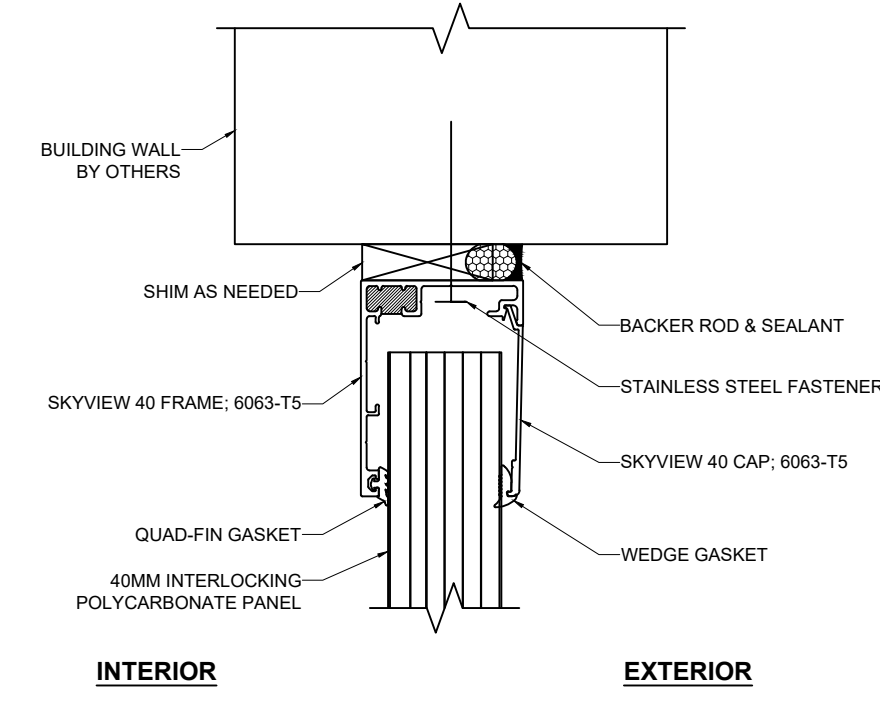
**A** FRONT ELEV. SCALE: 1" = 12"



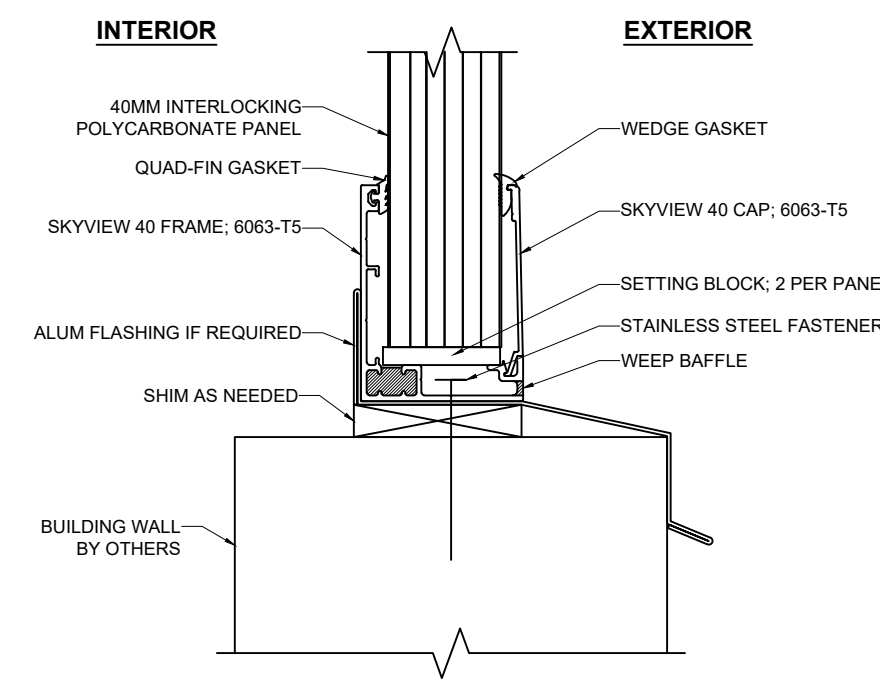
**B** SECTION SCALE: 1" = 12"



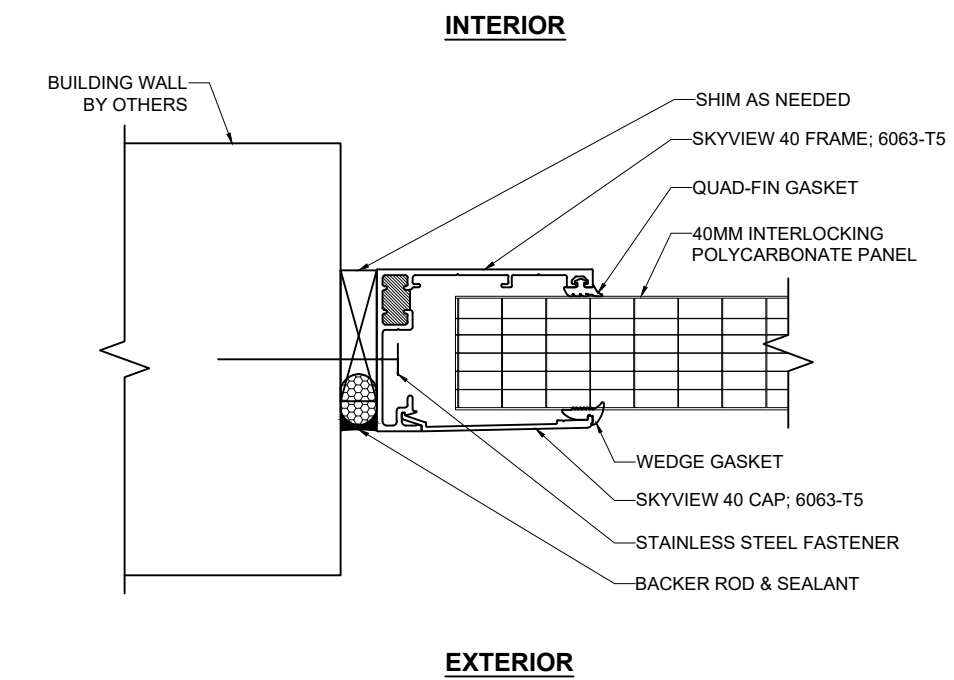
**C** CROSS SECTION SCALE: 1" = 12"



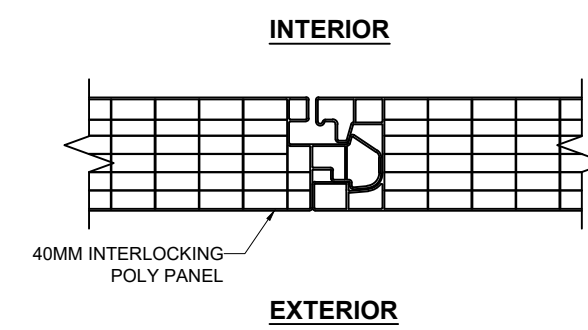
**D** HEAD SCALE: 3/8" = 1"



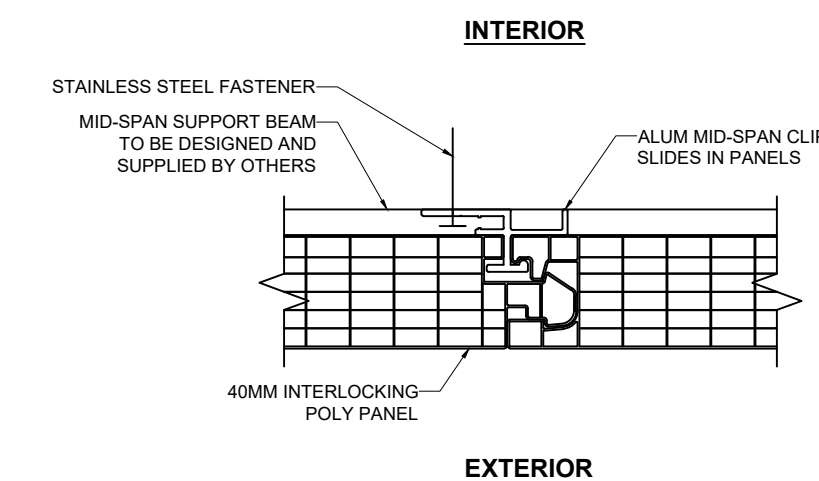
**E** BASE SCALE: 3/8" = 1"



**F** JAMB SCALE: 3/8" = 1"



**G** TYP. PANEL JOINT SCALE: 3/8" = 1"



**H** PANEL JOINT @ MID-SPAN SCALE: 3/8" = 1"

**Glazing Type: Skyview 40**

40mm Polycarbonate

**IMPORTANT:**  
Co-extruded UV Protection must be to the outside

Interior